



RAISED GARDEN PLANTER

Assembly instructions

Freising

L & XL

EN

Recommendations

- Wear gloves during assembly.
- Assemble the unit on a level surface.
- Use a towel or sheet to protect the product and the floor surface.
- Assembly is easier with two people.



ATTENTION!

Handle components with care due to possible sharp corners or edges

Parts List

- 2 x Side Panels
- 2 x End Panels
- 4 x Corner Legs
- 1 x Allen Key
- 1 x Base Panel
- 24 x Nuts
- 24 x Bolts
- 4 x Plastic Feet

Assembly

Step 1 - Unpack the unit, confirm that you have all the parts listed.

Step 2 - Screw the corners together using the parts in the following order as per diagram 1. End Panel (inside) – Side Panel (middle layer) – Corner Leg (outside)

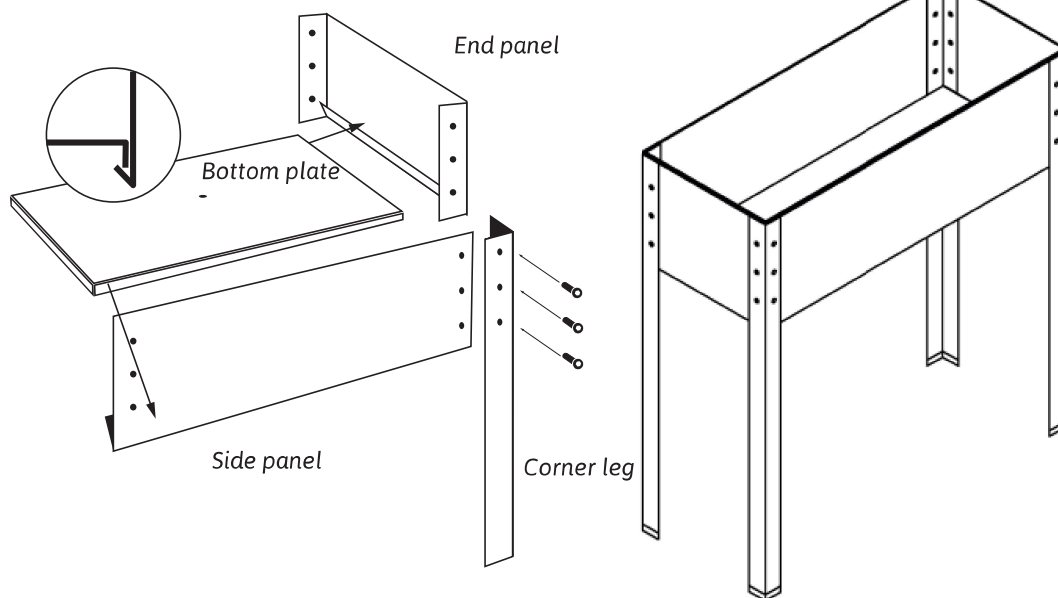
Note: Only install the nuts and bolts closest to the top of the unit so the base panel can be inserted in Step 4.

Step 3 - Repeat the process for all corners.

Step 4 - Turn the unit right way up and insert the Base Panel. **It sits on the lip created by the side and end panels.**

Once the base panel has been placed in the unit you can screw in the rest of the nuts and bolts.

Step 5 - Move planter into final location and put the plastic feet under each leg before filling with soil.



Bio Green GmbH & Co. KG
Marburger Straße 1b
35649 Bischoffen-Oberweidbach

Tel: 06444 93120
Fax: 06444 6162
E-Mail: info@biogreen.de

www.biogreen.world

