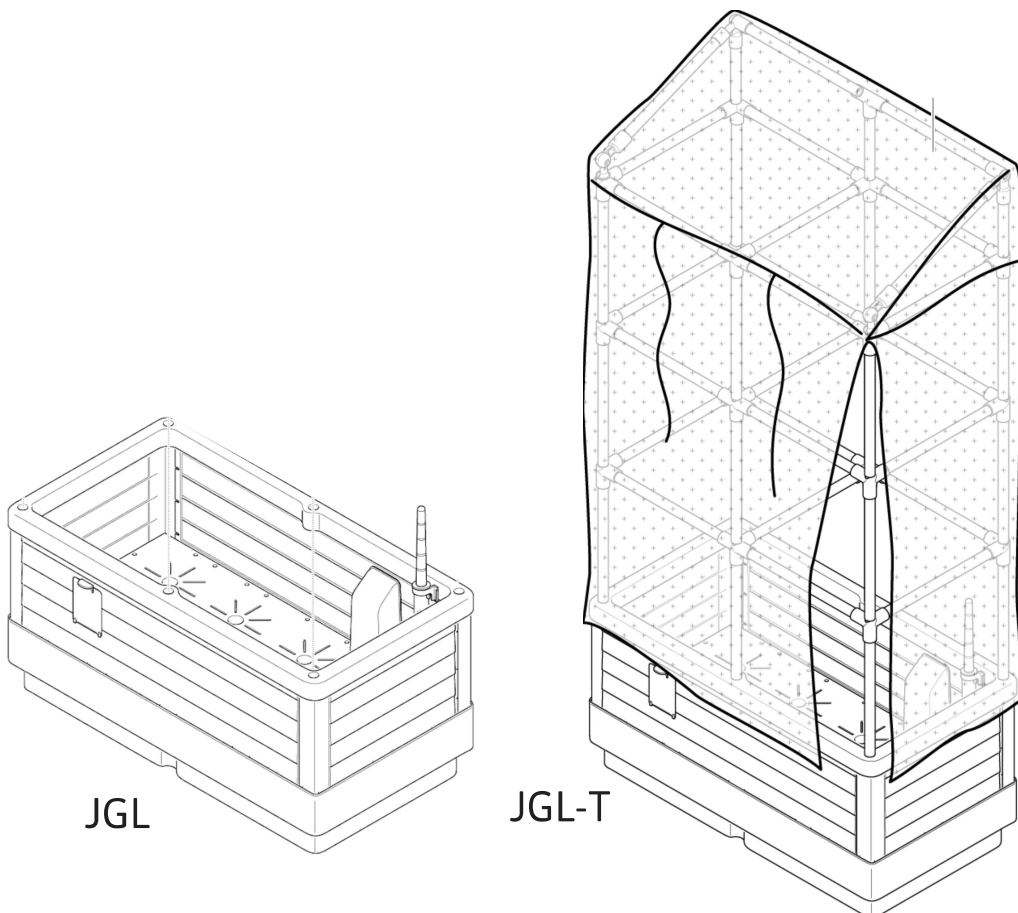




Aufbauanleitung

Installation Manual | Manual de instalación
Manuel d'installation | Installationshandbok

CityJungle®



JGL

JGL-T

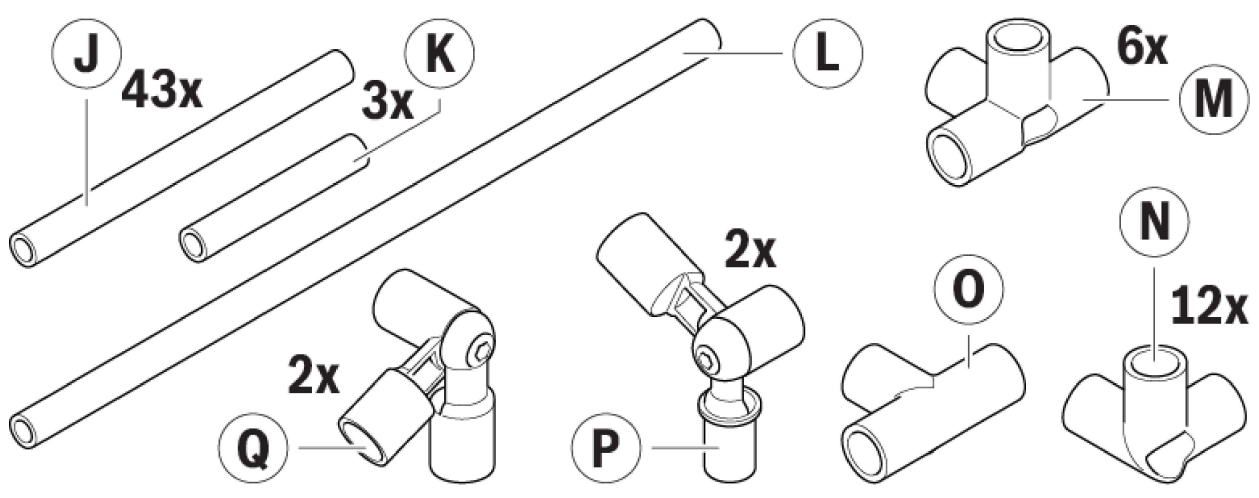
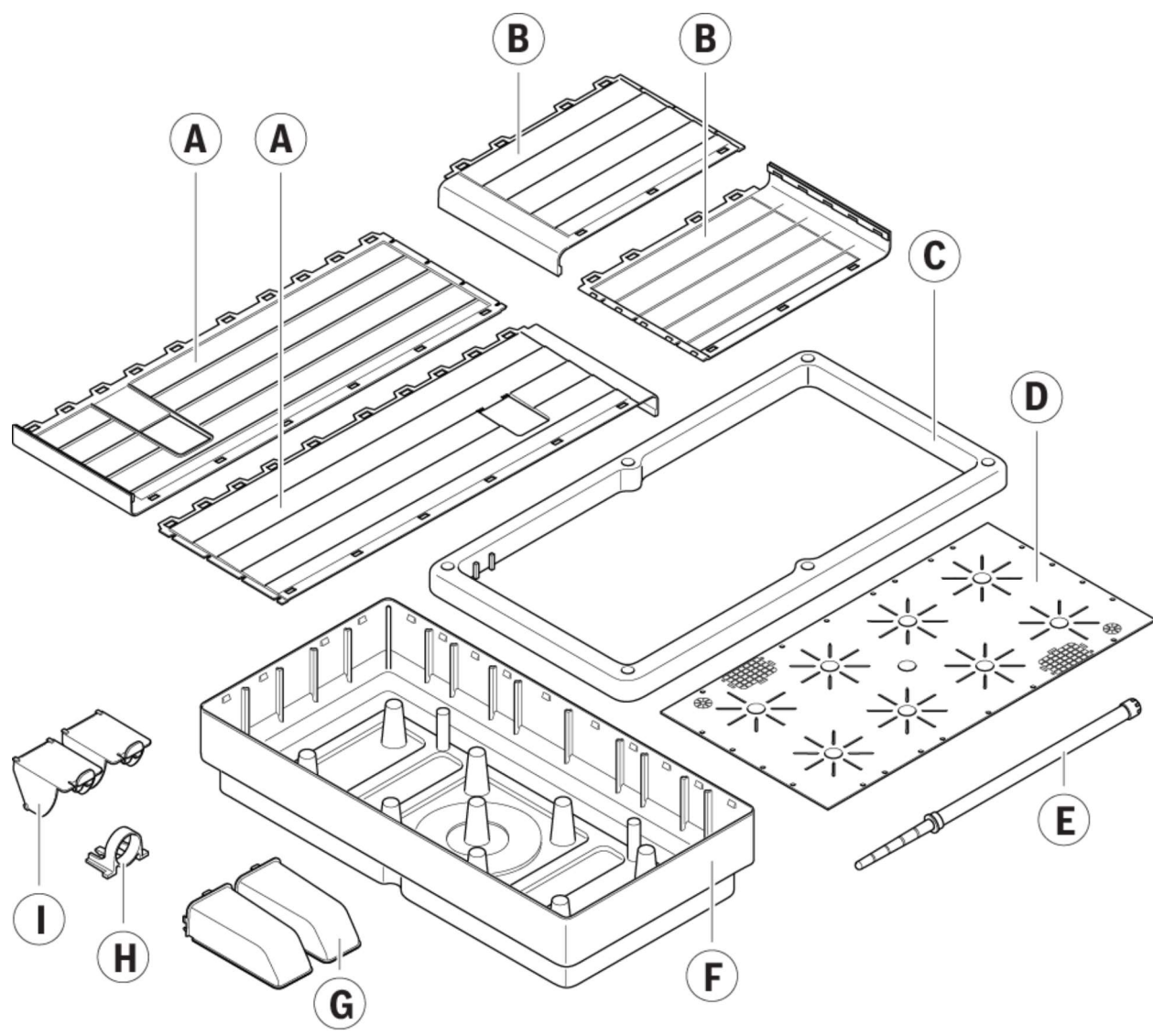
DE

EN

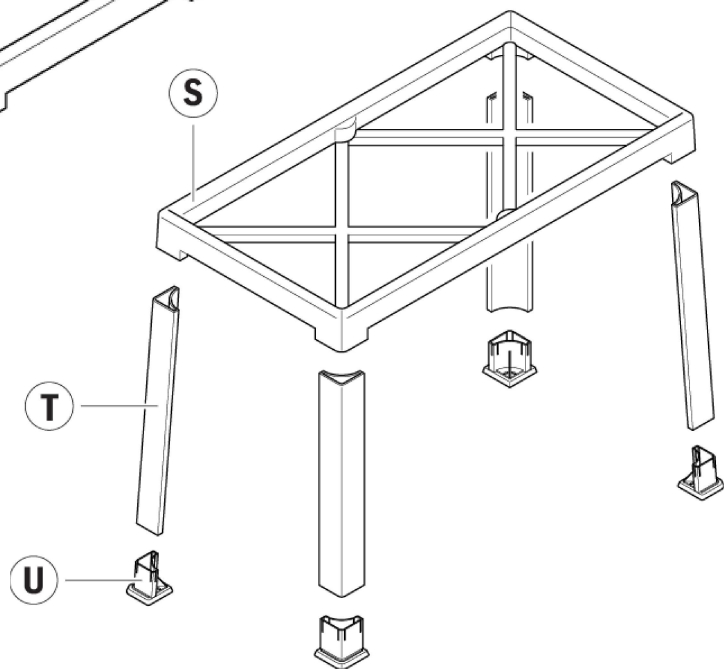
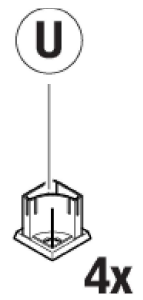
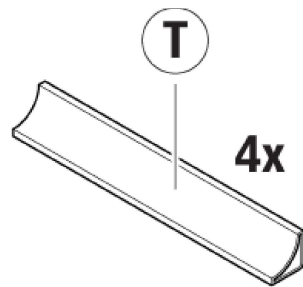
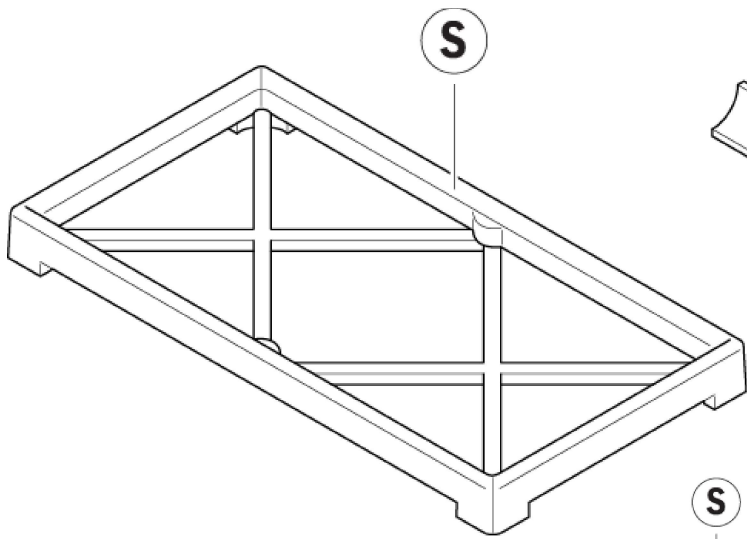
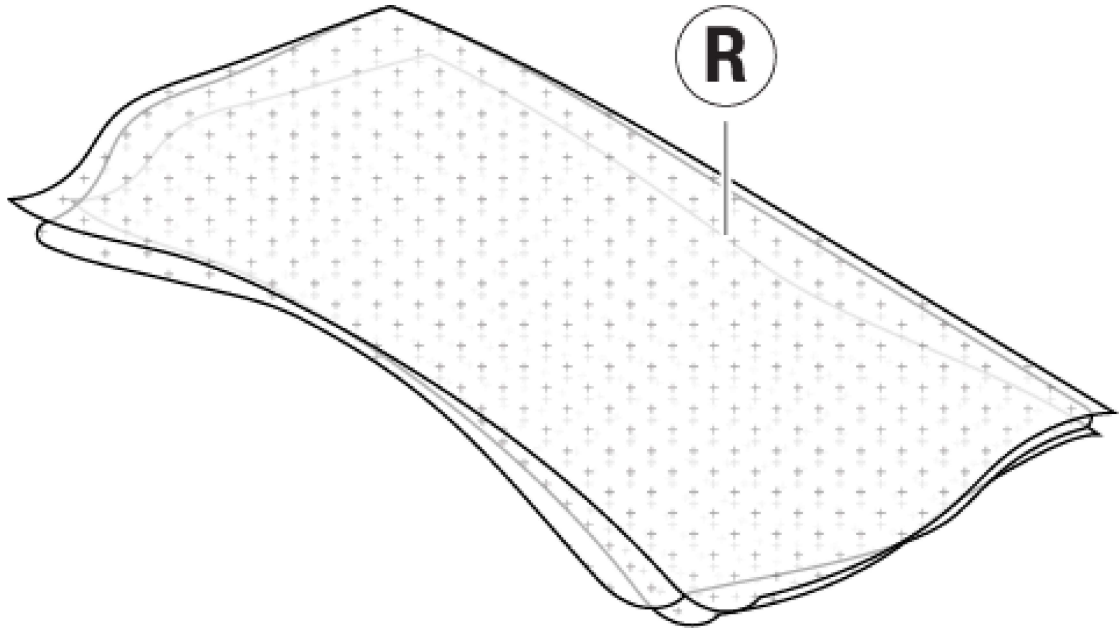
FR

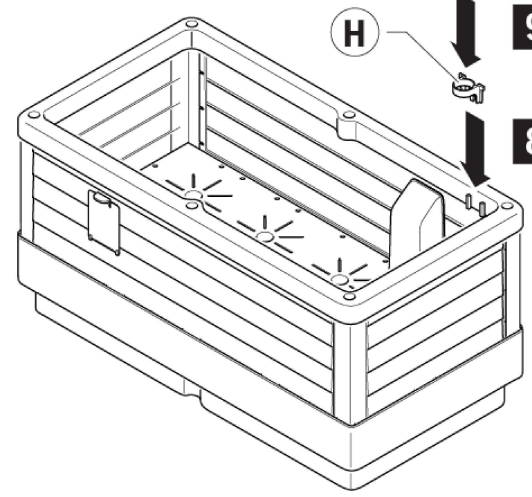
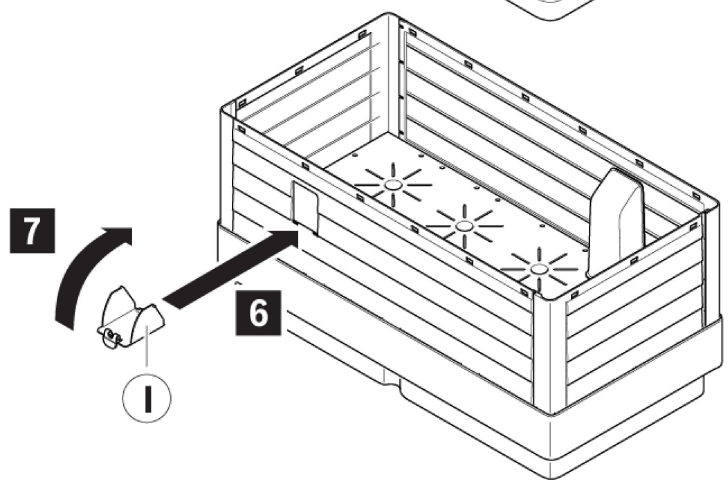
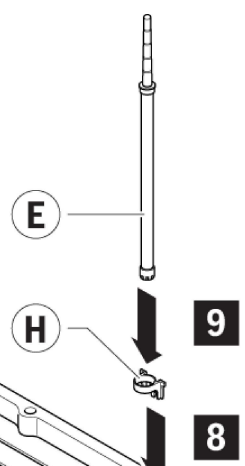
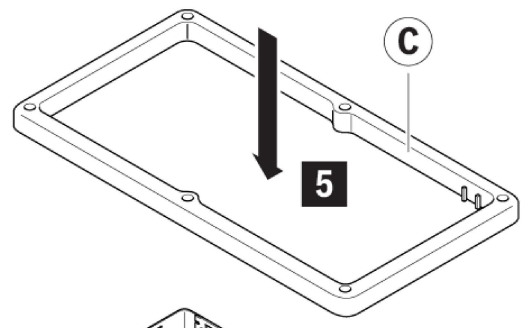
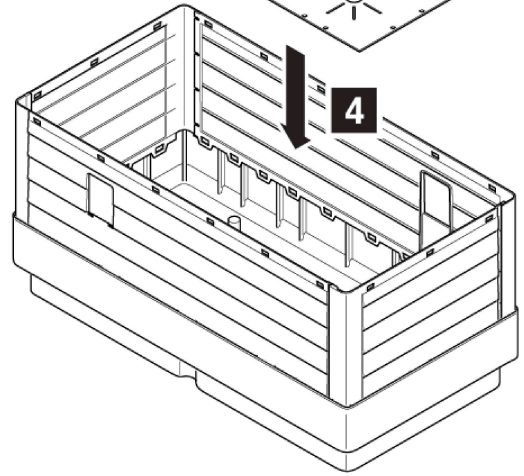
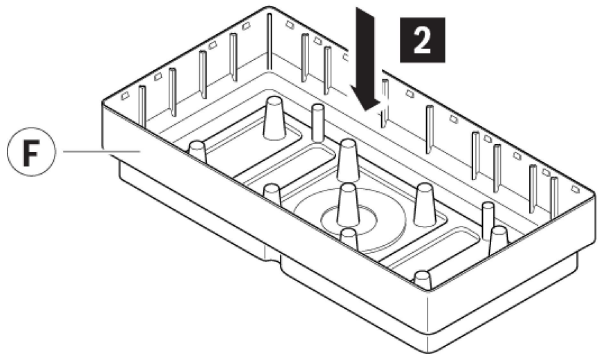
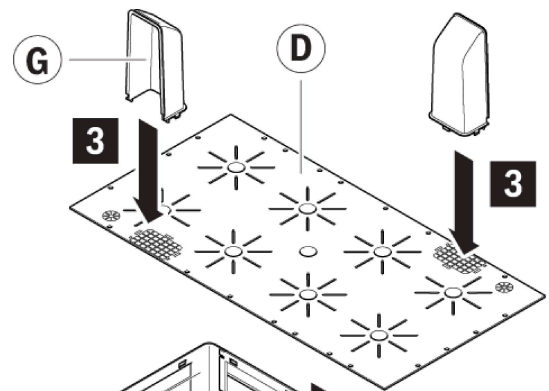
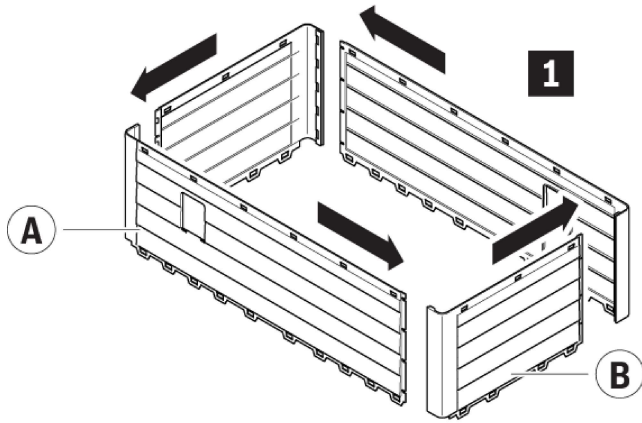
ES

SE



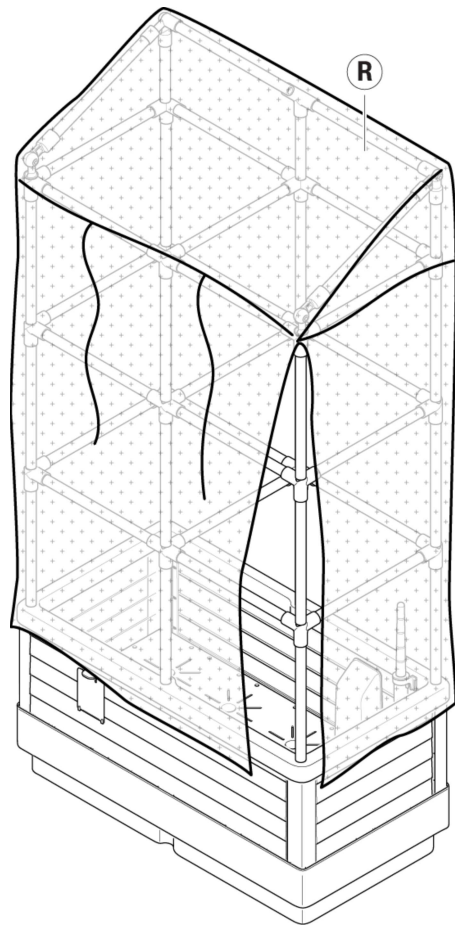
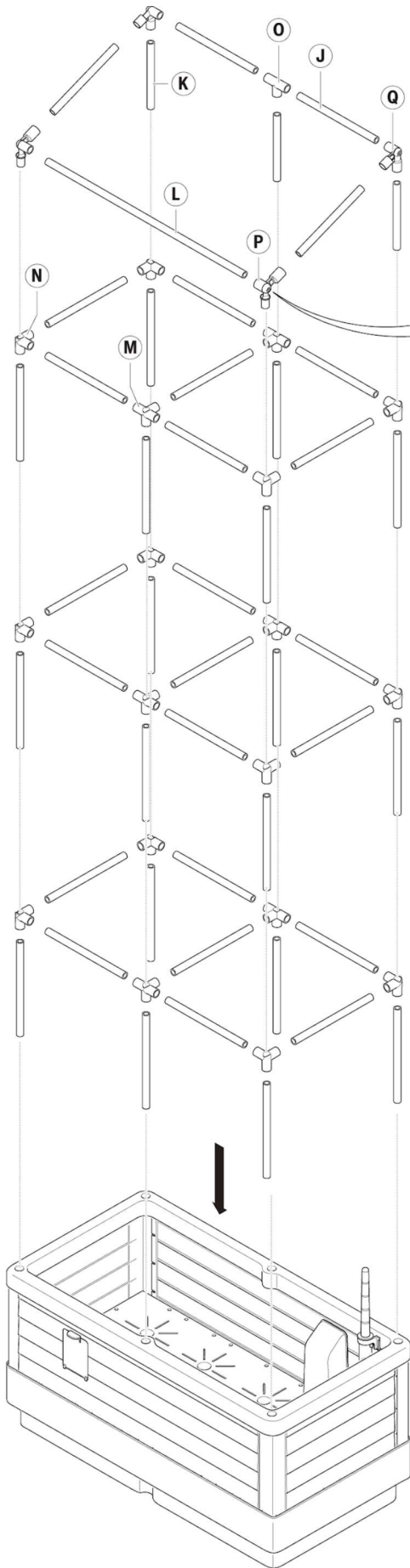
OPTIONAL





OPTIONAL
JGL-TR

OPTIONAL
JGL-C



Product elements ①

- A. Long compartment plates (2x)
- B. Short compartment plates (2)
- C. Compartment frame (1x)
- D. Compartment bottom (1x)
- E. Level indicator (1x)
- F. Compartment base (1x)
- G. Water fill port tray (2x)
- H. Level indicator clips (1x)
- I. Water fill port spout (2x)

- J. Stick, middle (43x)
- K. Stick, short (3x);
- L. Stick, long
- M. 4-Way connector (6x)
- N. Corner connector (12x)
- O. T-connector
- P. Knee-connector-front (2x)
- Q. Knee-connector-back (2x)

Options:

- Cover R. Cover (1x)
- Foot S. Foot frame (1x), T. Legs (4x)
- U. Foot (4x)

Intended use The City Jungle is intended to be used as an environment for plant growth.

The City Jungle is intended to be used for vegetation, such as vegetables, flowers and herbs with a maximum total weight of 120kg (265 lbs). The City Jungle is intended to be used in/on patios, terraces, yards, rooftops and similar locations.

The City Jungle is not intended to be used:

- **As a climbing object.**
- **To store products with a weight of >120kg (265 lbs)**
- **At locations with a wind speed of more than 11 m/s (25 mph)**
- **The product must only be used according to the instructions as described in this manual. All use other than described in this manual is seen as unintended use. The product shall be used with original accessories and components only.**

Safety instructions

- Before the installation and use of the product, carefully read and understand the supplied instructions.
- The manufacturer is not responsible if an incorrect installation and/or use causes injuries and damages. Always keep the instructions with the product for future reference.
- **Breaking hazard.** Do not place any items in the City Jungle with a total weight of >120kg (265 lbs). Distribute weight evenly throughout City Jungle.
- **Tilting hazard.** Do not store any heavy items in the upper compartment.

- The product should not be used by children younger than 14 years.
- Children must be supervised to ensure that they do not play with the product.
- The product contains small parts. Keep small parts away from children.
- Do not install or use a damaged product.
- Do not install or use the appliance in a place where the temperature is less than 0 °C (30 °F) or more than 50 °C (120°F).
- Do not install the product at locations with a wind speed of more than 11 m/s (25 mph).
- Make sure to place all parts correctly and according to the instructions. Failure to do so may affect the proper functioning of the product.
- Unauthorized alterations to the product and technical modifications are not permitted.
- Clean the product with a dry, lint-free cloth. Do not use detergents or other solvents to clean the product.
- Use only original spare parts. The use of other parts will result in voiding of the warranty and could lead to injuries.
- **Recycle materials.** Put the packaging in applicable containers to recycle it. Help protect the environment and human health. Return the product to your local recycling facility or contact your municipal office.

Installation

Assembly of the optional foot ②
Assemble the optional foot.

Assembly of the plant compartment ③

1. Attach the compartment plates (A) (B) to build the compartment box.
2. Place the compartment box on the compartment base (F).
3. Attach the water fill port trays (G) to the compartment bottom (D).
4. Put the compartment bottom (D) in compartment box.
5. Attach the two water fill port spouts (I).
6. Attach the compartment frame (C) to the compartment box.
7. Attach the level indicator clips (H).
8. Put the level indicator (E) in one of the clips (H).

Assembly of the framework ④

1. Make sure that all connectors are screwed together. The screws might come loose during transport.
 2. Assemble the framework.
 3. Place the optional cover (R).
 4. Place the plant compartment on the optional foot.
- CAUTION!** Hold the City Jungle at the bottom of the plant compartment while lifting it up. Do not hold the compartment plates or framework when lifting it up.

MANUFACTURER'S REPRESENTATIONS AND WARRANTIES

Bio Green USA Inc.,
2881, Busse Road
Elk Grove Village
IL 60007, United States.
Phone: 1-800-941-3169
Email: info@biogreen-products.com
Web: www.biogreen-products.com

These Representations and Warranties are applicable to all customers (the "Customers" and each, individually, a "Customer") purchasing products (the "Products") manufactured by Bio Green GmbH & Co. KG (the "Company").

1. Warranty and Limitations:

1.1. The Company warrants solely to the original purchaser of the Products that for the Warranty Period (as defined below), the Products will be free from defects in materials and workmanship under normal use, and will conform to the Company's published specifications of the Products. Notwithstanding the foregoing, the Company retains its right to deviate from its published specifications due to the latest innovations and improvements in function and design of the Products.

1.2. The foregoing warranty is subject to the proper storage, transportation and use of the Products, and does not include defects due to normal wear and tear or deterioration.

1.3. The Customer shall immediately, but in any event no later than eight (8) days following delivery of the Product, inspect the Products for conformity and visible defects. The Customer shall give the Company immediate written notice of any non-conformities or visible defects regarding the Products. In the event that the Customer fails to provide the Company within eight (8) days following delivery of the Products with notice of any non-conformities or visible defects, any warranty claims in this regard shall be deemed waived.

1.4. The Customer shall immediately notify the Company in writing of any other defects of the Products and return such defective Product. Prior to any shipment of a defective Product, the Customer shall contact the Company first at the address provided in 1.9. Company's sole obligation under the foregoing warranty is, at the Company's option and in its sole discretion, to repair, replace or exchange the defective Product. Any repaired, replaced or

exchanged Products shall be subject to this warranty, following their repair, replacement or exchange. If the Company has received notification from the Customer, and no defects of the Product could be discovered, the Customer shall bear the costs that the Company incurred as a result of the notice. It shall be in the Company's sole discretion to determine if the Product has a defect. In no event shall the Company bear the costs of disassembly.

1.5. With respect to orders made to custom, any defects of the Products caused by the Customer's specifications are excluded from the warranty set forth in 1.1. 1.6. The Company also makes no warranty that the Products manufactured under an order made to custom do not infringe the intellectual property or other proprietary rights of any third party and the Customer is solely responsible for assuring that such Products do not so infringe.

1.7. The "Warranty Period" begins on the date of delivery of the Product to the Customer, and continues to be in effect for twenty-four (24) months. The "Warranty Period" shall be suspended for the time of repair, replacement or exchange, until the repaired, exchanged or replaced product has been returned to the Customer.

1.8. The Company does not authorize any person or party to assume or create for it any other obligation or liability in connection with the Products except as set forth herein.

1.9. All requests and notices under this Warranty shall be directed to:

Bio Green USA Inc.,
2881, Busse Road
Elk Grove Village
IL 60007, United States.
Phone: 1-800-941-3169

1.10. THE WARRANTY SET FORTH IN SECTION 1.1 IS MADE IN LIEU OF ALL OTHER WARRANTIES (WHETHER EXPRESS OR IMPLIED), RIGHTS OR CONDITIONS, AND THE CUSTOMER ACKNOWLEDGES THAT EXCEPT FOR SUCH LIMITED WARRANTY, THE PRODUCTS ARE PROVIDED "AS IS." THE COMPANY SPECIFICALLY DISCLAIMS, WITHOUT LIMITATION, ALL OTHER WARRANTIES, EXPRESS OR IMPLIED, OF ANY KIND, INCLUDING, WITHOUT LIMITATION, THE IMPLIED WARRANTIES OF MERCHANTABILITY AND FITNESS FOR A PARTICULAR PURPOSE, NON-INFRINGEMENT, AND THOSE WARRANTIES ARISING FROM A COURSE OF PERFORMANCE, A COURSE OF DEALING OR TRADE USAGE.

2. Limitation of Liability:

2.1. IN NO EVENT SHALL THE COMPANY BE LIABLE FOR ANY INDIRECT, INCIDENTAL, PUNITIVE, SPECIAL OR CONSEQUENTIAL DAMAGES, INCLUDING BUT NOT LIMITED TO, DAMAGES FOR LOSS OF PROFITS, REVENUE, GOODWILL OR USE, INCURRED BY THE CUSTOMER OR ANY THIRD PARTY, WHETHER IN AN ACTION IN CONTRACT, TORT, STRICT LIABILITY, OR IMPOSED BY STATUTE, OR OTHERWISE, EVEN IF ADVISED OF THE POSSIBILITY OF SUCH DAMAGES. THE COMPANY'S LIABILITY FOR DAMAGES ARISING OUT OF OR IN CONNECTION WITH THIS AGREEMENT SHALL IN NO EVENT EXCEED THE PURCHASE PRICE OF THE PRODUCTS. IT IS AGREED AND ACKNOWLEDGED THAT THE PROVISIONS OF THIS AGREEMENT ALLOCATE THE RISKS BETWEEN THE

COMPANY AND THE CUSTOMER, THAT THE COMPANY'S PRICING REFLECTS THIS ALLOCATION OF RISK, AND BUT FOR THIS ALLOCATION AND LIMITATION OF LIABILITY, THE COMPANY WOULD NOT HAVE ENTERED INTO THIS AGREEMENT.2.2. IN JURISDICTIONS THAT LIMIT THE SCOPE OF, OR PRECLUDE LIMITATIONS, OR EXCLUSION OF REMEDIES OR DAMAGES, OR OF LIABILITY, SUCH AS LIABILITY FOR GROSS NEGLIGENCE OR WILLFUL MISCONDUCT OR DO NOT ALLOW IMPLIED WARRANTIES TO BE EXCLUDED, THE LIMITATION OR EXCLUSION OF WARRANTIES, REMEDIES, DAMAGES OR LIABILITY SET FORTH ABOVE ARE INTENDED TO APPLY TO THE MAXIMUM EXTENT PERMITTED BY APPLICABLE LAW. THE CUSTOMER MAY ALSO HAVE OTHER RIGHTS THAT VARY BY STATE, COUNTRY OR OTHER JURISDICTION.